

Twintec XL2 Softener Specification



- No electrics
- No time clocks
- No Computers
- No user controls
- Simple to use
- Water powered
- Accurate metering
- Suitable for all plumbing systems
- No costly annual servicing
- Soft water 24/7

How our non-electric TwinTec softener works

The obvious difference between an ordinary softener and the TwinTec is the fact that our water softener has two cylinders as opposed to one. This makes the regeneration process much more efficient, as shown in the diagram below.

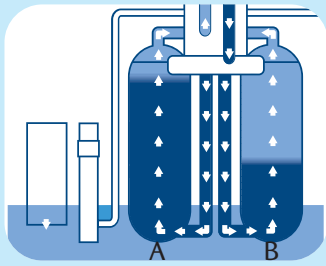
NO ELECTRICITY

TwinTec uses the flow of water to operate the control module. This is why the softener can cope with fluctuations in water demand in any application, without the

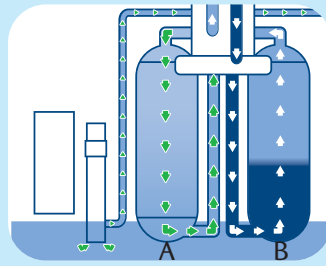
need to alter time clocks or computer controls.

The TwinTec requires **NO PROGRAMMING**

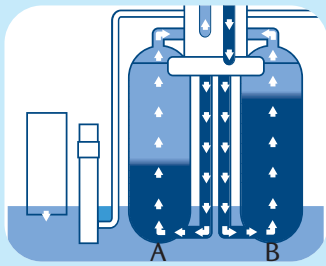
or maintenance other than keeping it topped up with salt blocks. Rest assured that if you go away on holiday the softener will not waste water or salt by regenerating unnecessarily, it simply waits for you to return and start using the water again. Simple, efficient and luxurious!



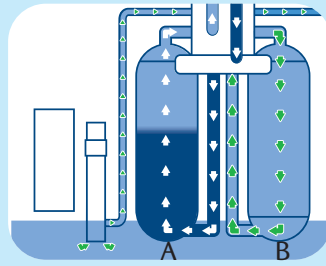
1 During normal service cylinders A & B supply softened water.



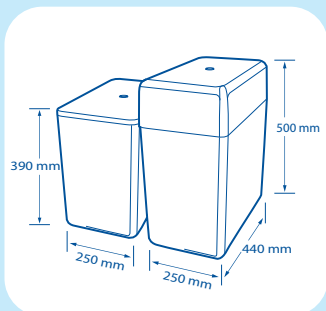
2 When cylinder A stops to regenerate Cylinder B continues in service.



3 After regeneration, both cylinders A & B continue to give service.



4 When cylinder B stops to regenerate, Cylinder A continues in service.



Inlet/ Outlet (bsp male parallel)	1" or 3/4"
Salt tank overflow/drain	1/2" Hose connector
Maximum pressure	8 bar
Minimum pressure	1 bar
Maximum temperature	20c
Salt storage	6x4kg Salt blocks
Maximum flow	80 L/min
Minimum flow	>10 L/hour
Salt used per regeneration	600g/900g/1300g
Regeneration water volume	37 litres
Approx flow rate to drain	1.8 L/min
Regeneration time	>20 minutes approx

Twintec Water Softeners
Twintec House
120-126 Spring Road
Ipswich
IP4 5NR
(0800) 013 9090

All information is correct at the time of going to print.



www.twintec.com

A family business established in 1977

XL2
L560 (11/09)